



3-speed technology

– The power of flexibility

One of the main features of a SuperBrute is its 3-speed motor. This unique motor advancement, pioneered by Grundfos more than 30 years ago, allows you the ability to adjust the pump speed to fit your specific application. Flexibility to choose your speed gives you the peace of mind that you have the correct pump for the job. The versatility of the SuperBrute not only reduces the number of circulators you have in your truck, but also reduces your installation time and callbacks.

Features

- Lower inventory – increased profitability
- Easy to install – easy to service
- Reliable starts – trouble-free performance
- Quiet - wet rotor technology
- Industry leading three-year warranty



Cast Iron
SuperBrute
UPS 15-58FC



Stainless Steel
SuperBrute
UPS 15-55SUC/TLC



Stainless Steel
SuperBruteXL
UPS 43-100SF

– Building on success

Due to the popularity of the UPS15-58 SuperBrute, we designed six new models to expand the 3-speed circulator range. For most hydronic heating applications, the UPS15-58 is the only circulator you will ever need. But, since some situations require unique demands, additional models were

designed to expand the SuperBrute range. All the pumps contain the same features that made the original SuperBrute such a sought-after alternative. Flexibility, ease of installation, and reduced inventory are the benefits that make the SuperBrute team the new standard in circulators.

| | |
|-------------------------------------|-----------------------|
| High Head SuperBrutes | UPS 15-58 F/FC |
| | UPS 26-99 FC/BFC |
| | UPS 26-150 F/SF |
| High Flow SuperBrutes | UPS 43-44 FC/BFC |
| | UPS 43-100 F/SF |
| | UPS 50-60 F/SF |
| Additional Stainless Options | UPS 15-35 SFC/SUC/TLC |
| | UPS 15-55 SFC/SUC |



– The SuperBrute team

| | | Model | Volts | Material | Part Number |
|---|---|-------------------|-------|-----------|-------------|
|  |  | UPS 15-35 SFC | 115V | Stainless | 59896772 |
| | | UPS 15-35 SUC | 115V | Stainless | 59896778 |
| | | UPS 15-35 SUC/TLC | 115V | Stainless | 59896780 |
|  |  | UPS 15-55 SFC | 115V | Stainless | 59896773 |
| | | UPS 15-55 SUC | 115V | Stainless | 59896781 |
| | | UPS 15-55 SUC/TLC | 115V | Stainless | 59896783 |
|  |  | UPS 15-58 FC | 115V | Cast Iron | 59896341 |
| | | UPS 15-58 FRC | 115V | Cast Iron | 59896343 |
| | | UPS 26-99 FC | 115V | Cast Iron | 52722512 |
|  |  | UPS 26-99 FC | 230V | Cast Iron | 52722513 |
| | | UPS 26-99 BFC | 115V | Bronze | 52722518 |
| | | UPS 26-99 BFC | 230V | Bronze | 52722519 |
|  |  | UPS 26-150 F | 115V | Cast Iron | 95906630 |
| | | UPS 26-150 F | 230V | Cast Iron | 95906631 |
| | | UPS 26-150 SF | 115V | Stainless | 95906632 |
|  |  | UPS 26-150 SF | 230V | Stainless | 95906633 |
| | | UPS 43-44 FC | 115V | Cast Iron | 52722514 |
| | | UPS 43-44 FC | 230V | Cast Iron | 52722515 |
|  |  | UPS 43-44 BFC | 115V | Bronze | 52722520 |
| | | UPS 43-44 BFC | 230V | Bronze | 52722521 |
| | | UPS 43-100 F | 115V | Cast Iron | 95906636 |
|  |  | UPS 43-100 F | 230V | Cast Iron | 95906637 |
| | | UPS 43-100 SF | 115V | Stainless | 95906638 |
| | | UPS 43-100 SF | 230V | Stainless | 95906639 |
|  |  | UPS 50-60 F | 115V | Cast Iron | 97523134 |
| | | UPS 50-60 F | 230V | Cast Iron | 97523135 |
| | | UPS 50-60 SF | 115V | Stainless | 97523136 |
|  |  | UPS 50-60 SF | 230V | Stainless | 97523137 |

NEW

NEW

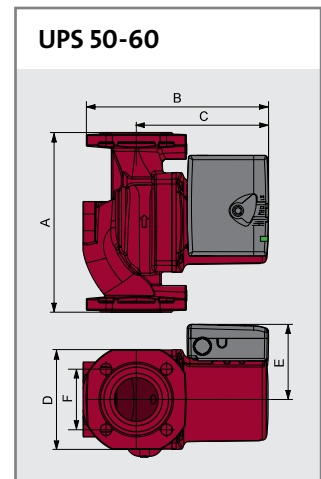
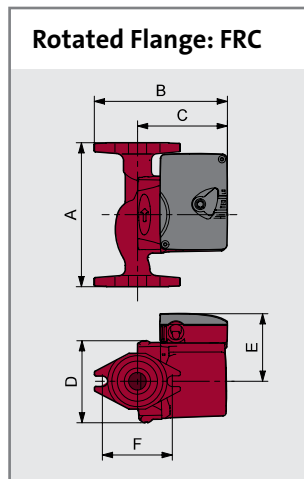
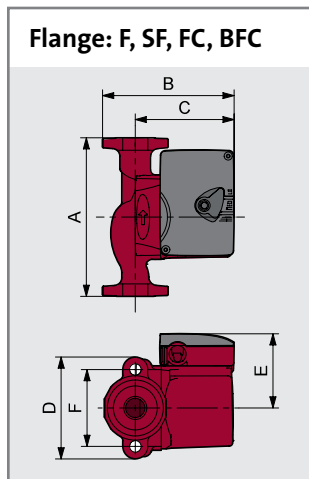
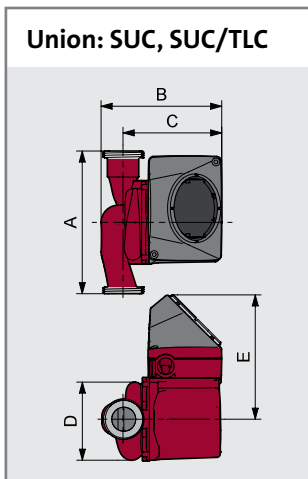
Coming 2010

– SuperBrute features

| Model Type | Max Fluid Temperature | | | | Min. Fluid Temperature | Max. System Pressure 145 PSI | Check Valve | Timer and Line Cord | Connection Type | | | |
|-----------------|-----------------------|--------------|--------------|---------------|------------------------|---------------------------------|-------------|---------------------|-----------------|--------|----------|-------|
| | 150°F (66°C) | 165°F (74°C) | 195°F (90°C) | 230°F (110°C) | 36°F (2°C) | | | | GF 15/26 | GU 125 | GF 40/43 | GF 50 |
| UPS15-35SFC | | • | | | • | • | • | | • | | | |
| UPS15-35SUC | | • | | | • | • | • | | | • | | |
| UPS15-35SUC/TLC | • | | | | • | • | • | • | | • | | |
| UPS15-55SFC | | | | • | • | • | • | | • | | | |
| UPS15-55SUC | | | | • | • | • | • | | | • | | |
| UPS15-55SUC/TLC | • | | | | • | • | • | • | | • | | |
| UPS15-58FC | | | | • | • | • | • | | • | | | |
| UPS15-58FRC | | | | • | • | • | • | | • | | | |
| UPS26-99FC/BFC | | | | • | • | • | • | | • | | | |
| UPS26-150F/SF | | | • | | • | • | | | • | | | |
| UPS43-44FC/BFC | | | | • | • | • | • | | | | • | |
| UPS43-100F/SF | | | • | | • | • | | | | | • | |
| UPS50-60F/SF | | | • | | • | • | | | | | | • |

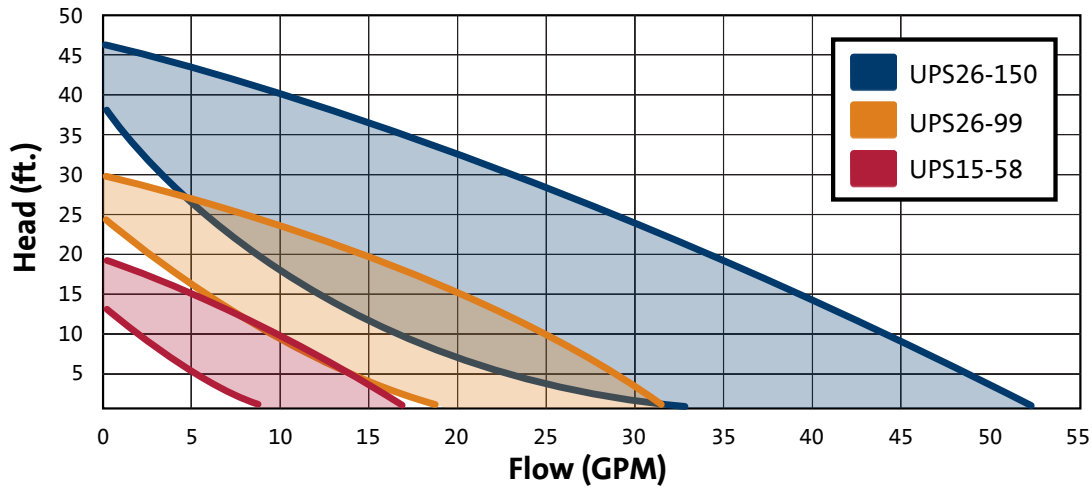
– SuperBrute dimensions

| Model Type | A | B | C | D | E | F |
|-----------------|---------|---------|--------|---------|---------|--------|
| UPS15-35SFC | 6 8/16 | 5 8/16 | 4 2/16 | 3 14/16 | 2 15/16 | 3 2/16 |
| UPS15-35SUC | 5 14/16 | 5 1/16 | 4 2/16 | 3 7/16 | 2 15/16 | - |
| UPS15-35SUC/TLC | 5 14/16 | 5 1/16 | 4 2/16 | 3 7/16 | 2 15/16 | - |
| UPS15-55SFC | 6 8/16 | 5 8/16 | 4 2/16 | 3 14/16 | 2 15/16 | 3 2/16 |
| UPS15-55SUC | 5 14/16 | 5 1/16 | 4 2/16 | 3 7/16 | 2 15/16 | - |
| UPS15-55SUC/TLC | 5 14/16 | 5 1/16 | 4 2/16 | 3 7/16 | 2 15/16 | - |
| UPS15-58FC | 6 1/2 | 5 1/4 | 4 | 4 3/16 | 3 | 3 5/32 |
| UPS15-58FRC | 6 1/2 | 5 1/4 | 4 | 4 3/16 | 3 | 3 5/32 |
| UPS26-99FC/BFC | 6 1/2 | 6 | 4 7/8 | 3 1/2 | 3 7/16 | 3 5/32 |
| UPS26-150F/SF | 6 1/2 | 7 1/8 | 5 7/8 | 3 7/8 | 3 3/4 | 3 1/8 |
| UPS43-44FC/BFC | 8 1/2 | 6 11/16 | 5 1/8 | 4 3/4 | 3 3/16 | 3 7/16 |
| UPS43-100F/SF | 8 1/2 | 7 3/8 | 5 7/8 | 4 1/2 | 3 3/4 | 3 1/8 |
| UPS 50-60 F/SF | 8 1/2 | 8 5/8 | 6 1/4 | 4 3/4 | 3 3/4 | 2 7/8 |

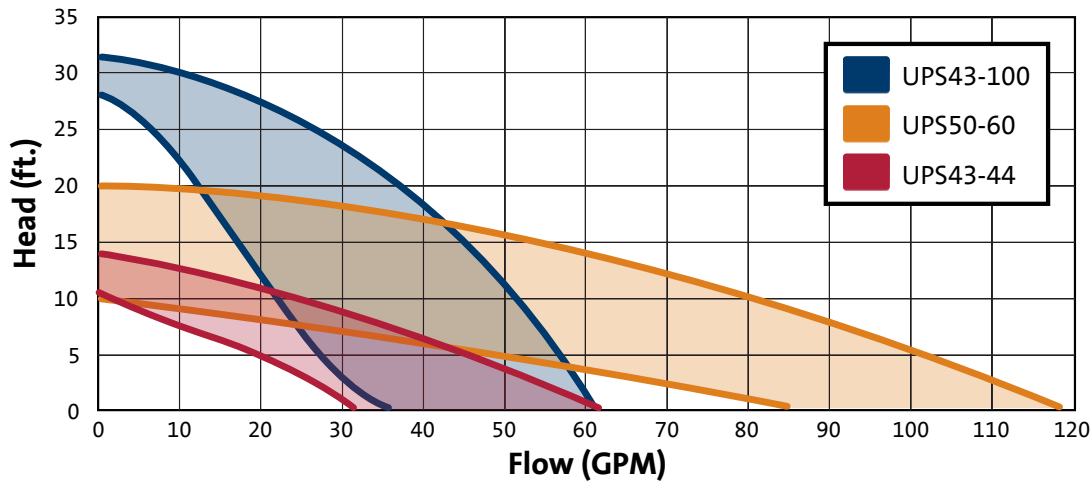


- SuperBrute 3-speed performance curves - 60 Hz

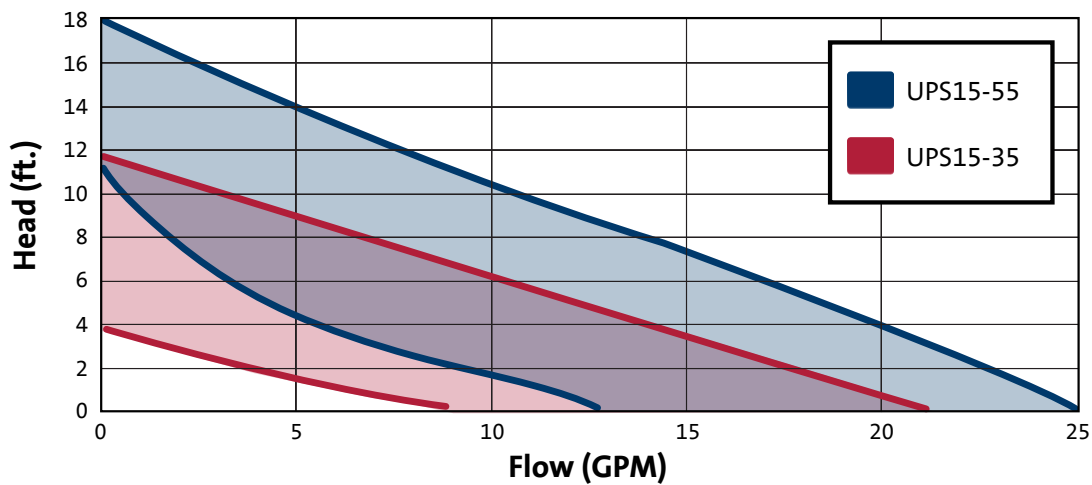
High Head Curves



High Flow Curves



Additional Stainless Steel Curves



CUT ALONG THIS LINE

– SuperBrute competitive cross-reference

| MODEL | SPEED | TACO | Bell & Gossett | Armstrong |
|---------------------|-------|---|---|---|
| UPS15-58 FC/FRC | HIGH | 005F, 007F, 008F, 0010F-IFC, 00R-MSF1-IFC | NRF-22, LR-20WR | Astro 30, Astro 50-3 |
| | MED | 005F-(IFC), 007F-(IFC), 008F-(IFC), 0010F-IFC, 00R-IFC, 00R-MSF1-IFC | NRF9F/LW | Astro 25, Astro30-3 |
| | LOW | 005F-(IFC), 006F-(IFC), 00R-MSF1-IFC | – | Astro 20 |
| UPS26-99 FC/BFC | HIGH | 0013(B)-IFC | NRF-36 Sp-2, NRF-45 Sp-2 | E7(B) |
| | MED | 0011(F, B)-(IFC), 0014(F, B)-(IFC) | Series 100, PL-30, PR, NRF-36 Sp-1, NRF-45 Sp-1 | Astro 50(B), H41 |
| | LOW | – | LR-15BWR | Astro 30(B) |
| UPS26-150 F/SF | HIGH | 1400-45(B) | PL-55(B) | – |
| | MED | 0011(F, B, SF), 0013(F, B, SF), 1400-20(F,B) | PL-36(B) | E8(B), E9(B) |
| | LOW | – | NRF-36 Sp-2 & 3, NBF-36 Sp-2 & 3 | E7(B) |
| UPS43-44 FC/BFC | HIGH | – | HV | – |
| | MED | – | NRF-33 | H32 |
| | LOW | 0010-MSF1-IFC | – | – |
| UPS43-100 F/SF | HIGH | – | – | E17(B) |
| | MED | 1400-20(F, B), 1400-30(F, B), 1400-40(F, B), 1400-45(F, B) | PL-45(B), PL-50(B), NRF-45 Sp-2 & 3, NBF-45 Sp-2 & 3, NRF-36 Sp-2 & 3 | E11(B), E15(B), E16(B) |
| | LOW | – | – | E10(B), E13(B) |
| UPS50-60 F/SF | HIGH | 1400-65(F, B) | PL-130(B) | E19(B), E28(B), E29(B) |
| | MED | 1400-60(F, B) | PL-50(B), PL-75(B) | – |
| | LOW | – | – | E16(B) |
| UPS15-35 SFC | HIGH | 005BF2-(IFC), 007(BF, SF)-(IFC) | NBF(SSF)-12F/LW | Astro 30(B) Sp-2 |
| | MED | – | – | Astro 20(B), Astro 30(B)-3 Sp-1 & 2 |
| | LOW | – | – | – |
| UPS15-35 SUC | HIGH | – | NBF(SSF)-12U/LW | Astro 25BU |
| | MED | 006BC4-1, 006B7-IFC | NBF-9U/LW | Astro 25BU |
| | LOW | 003-B4-2-IFC | – | – |
| UPS15-35 SUC/TLC | HIGH | – | – | Astro 25U-T |
| | MED | – | – | Astro 25U-T |
| | LOW | – | – | – |
| UPS15-55 SFC | HIGH | – | – | Astro 30(B) |
| | MED | 005-BF, 006-BF, 007-(BF, SF), 008-(BF, SF)-(IFC), 00R-SF-IFC | NBF-22, SSF-22 | Astro 30(B) Sp-2, Astro 30(B)-3 Sp-1 |
| | LOW | – | – | Astro 30(B) Sp-1, Astro 50(B) Sp-1 |
| UPS15-55 SUC | HIGH | – | – | – |
| | MED | – | NBF-22U, SSF-22U | – |
| | LOW | – | – | – |

GRUNDFOS SUPERBRUTE

Lower inventory for increased profitability



- 8 hydraulic models replace 130 competitor pumps
- SuperBrutes offer a 3-speed switch for extreme flexibility
- Fast installation time for a higher profit margin



- Nut capture feature (except UPS 15-58)



- Green LED Power indicator light (UPS 43-100, UPS 26-150, and UPS 50-60 models only)



Easy installation

- Quick connect terminals for easy installation

Reliable starts

- Patented electronic starting unit provides the highest starting torque of any circulators in its class (UPS15-58 only)
- Ceramic bearings ensure years of quiet, trouble-free operation



- Removable check valve eliminates need for an in-line flow check (UPS 15-35, 55, 58, UPS 26-99, UPS 43-44 models only)

L-UP-SL-027 9/09 (US)